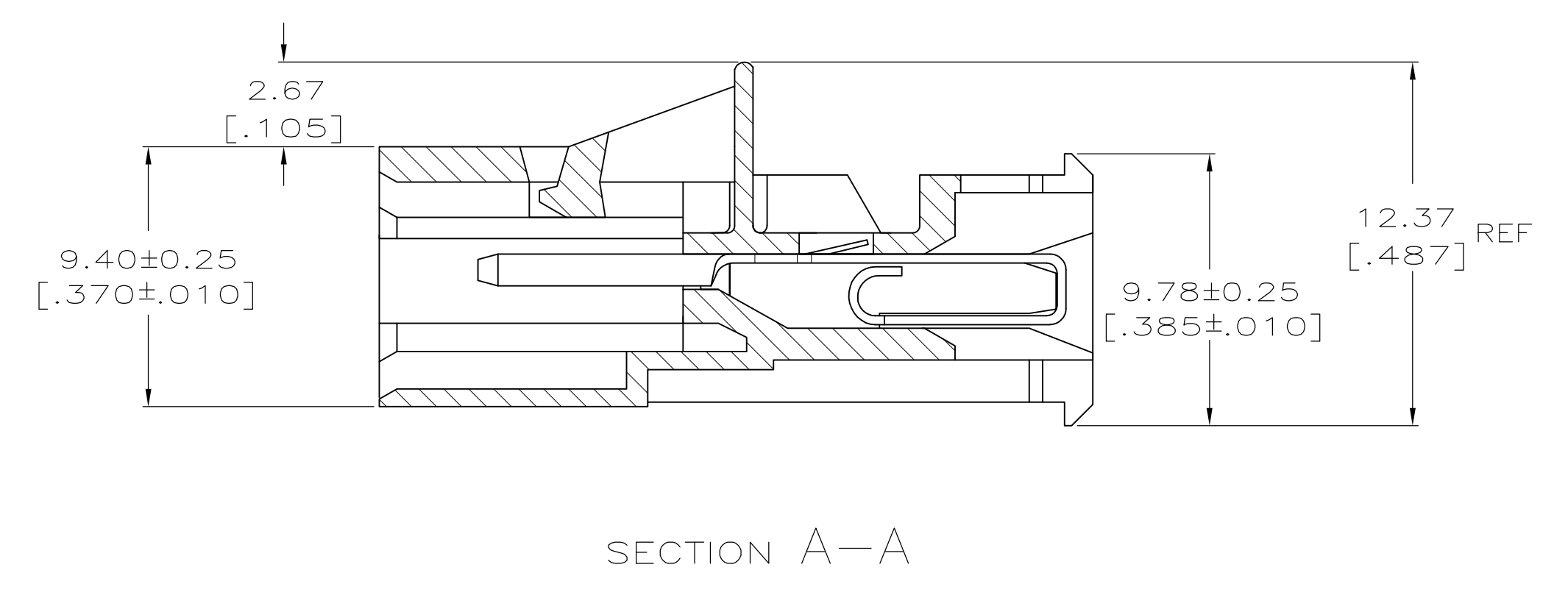
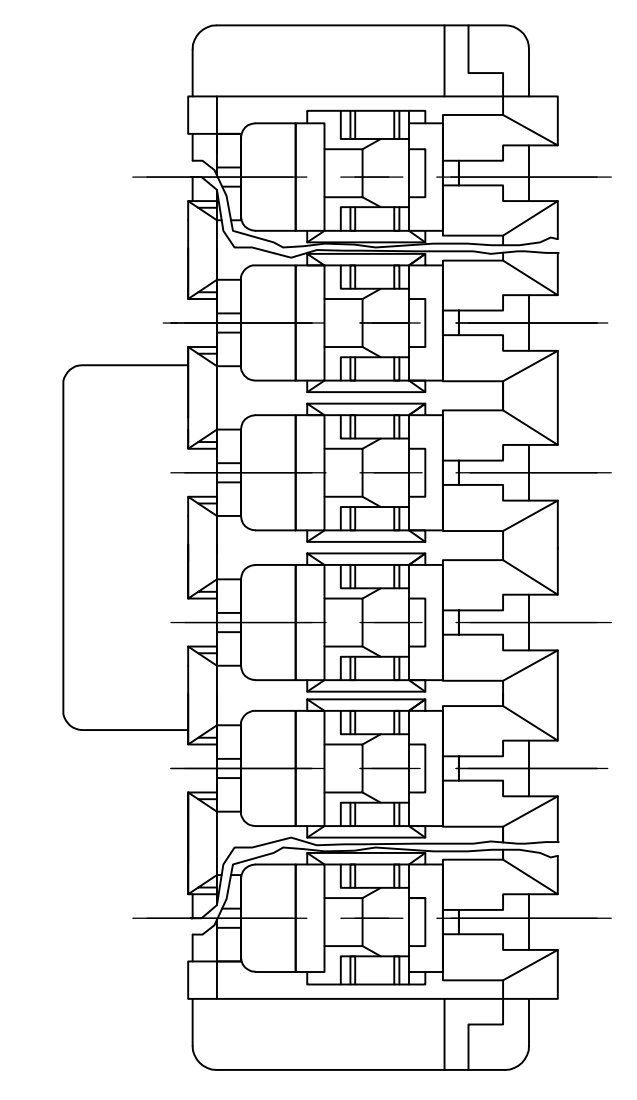
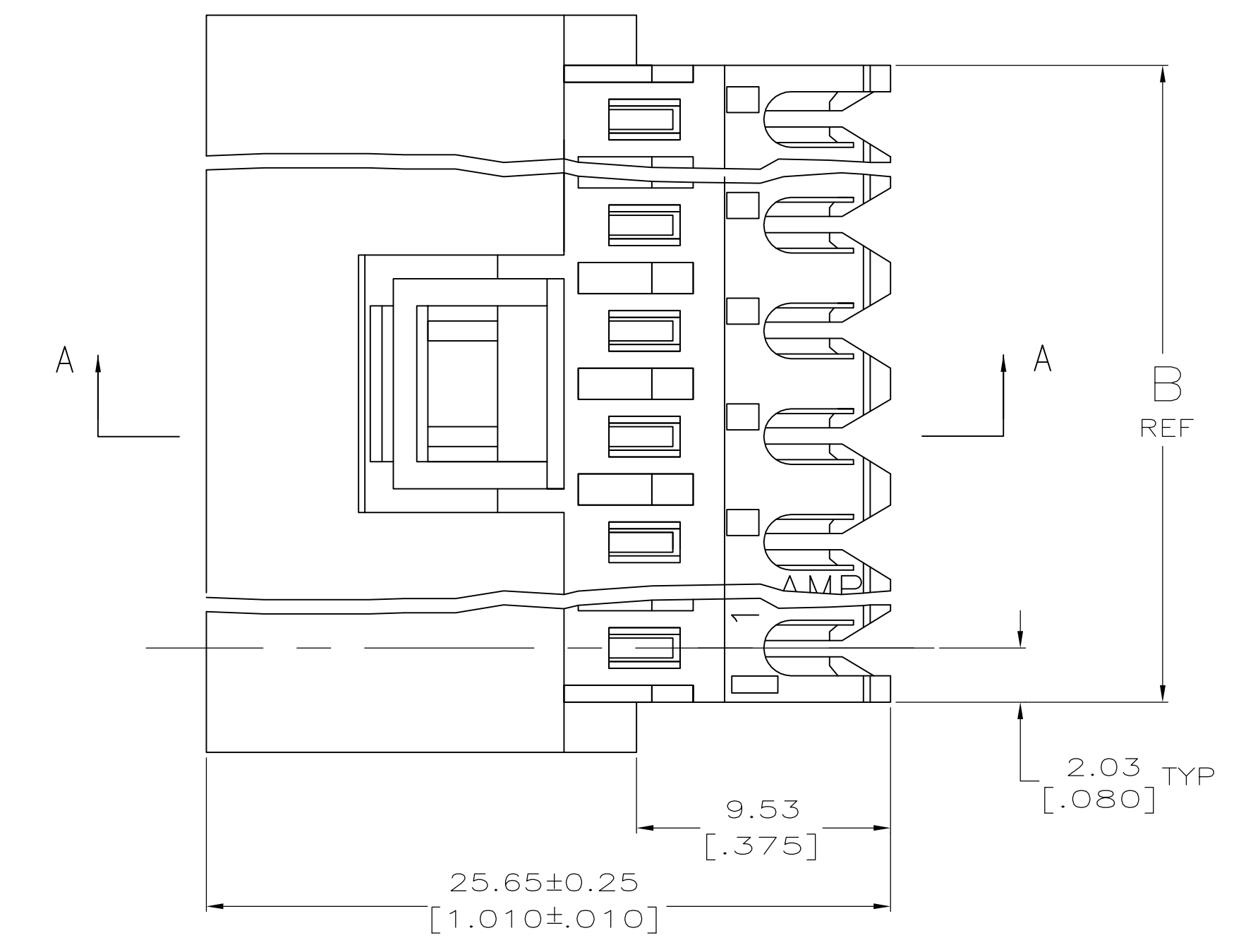
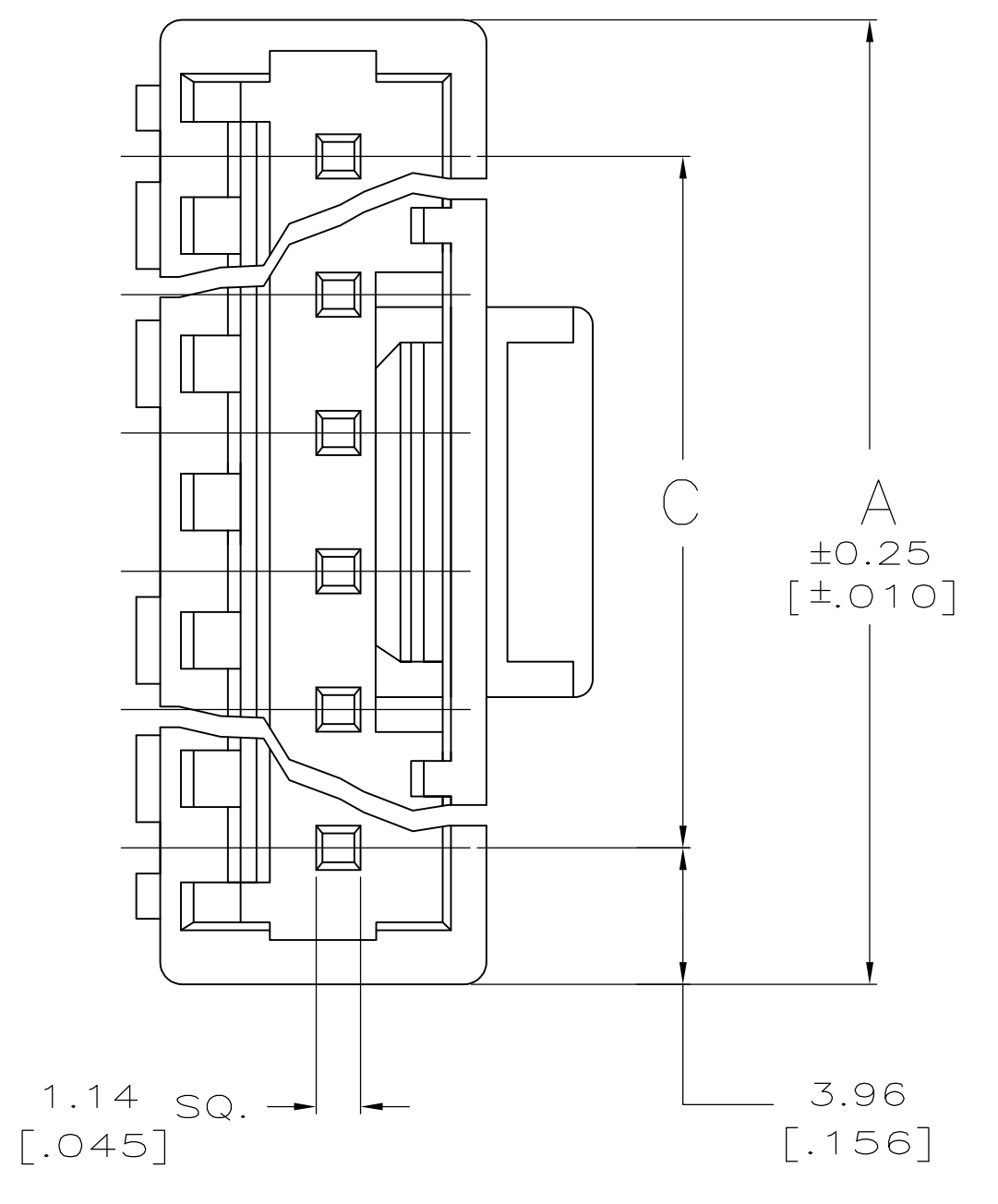


LOC		DIST		REVISIONS			
CM	O	REV	DATE	BY	CHK	APPV	
D		1	16APR08	HMR		DB	
		REVISED PER ECO-08-008919					

- MATERIAL: CONNECTOR- NYLON UL94V-2 (WHITE).
 CONTACTS- 0.30 [.012] THK COPPER ALLOY
 (BRIGHT TIN-LEAD 0.00203 [.000080] MIN THK).
 (MATTE TIN 0.00203 [.000080] MIN THK).
- CONTACTS ACCEPT #24 AWG SOLID, FUSED STRANDED OR STRANDED (7 STRANDS) WIRE WITH 2.41 [.095] MAX INSULATION DIA.
- BOW, IN ANY DIRECTION, NOT TO EXCEED 0.15 [.006] PER IN.
- HOUSING FEATURES: FEED-THRU.
- DIMENSIONS IN BRACKETS ARE IN INCHES.



FINISH	C	B	A	NO. OF CIRCUITS	PART NUMBER	
TIN	91.14 [3.588]	95.20 [3.748]	99.06 [3.900]	24	5-641525-4	
	55.47 [2.184]	59.54 [2.344]	63.40 [2.496]	15	4-641525-5	
	43.59 [1.716]	47.65 [1.876]	51.51 [2.028]	12	4-641525-2	
	31.70 [1.248]	35.76 [1.408]	39.62 [1.560]	9	3-641525-9	
	19.81 [.780]	23.88 [.940]	27.74 [1.092]	6	3-641525-6	
	11.89 [.468]	15.95 [.628]	19.81 [.780]	4	3-641525-4	
	7.92 [.312]	11.99 [.472]	15.85 [.624]	3	3-641525-3	
	3.96 [.156]	8.03 [.316]	11.89 [.468]	2	3-641525-2	
	TIN-LEAD	91.14 [3.588]	95.20 [3.748]	99.06 [3.900]	24	2-641525-4
		55.47 [2.184]	59.54 [2.344]	63.40 [2.496]	15	1-641525-5
43.59 [1.716]		47.65 [1.876]	51.51 [2.028]	12	1-641525-2	
31.70 [1.248]		35.76 [1.408]	39.62 [1.560]	9	641525-9	
19.81 [.780]		23.88 [.940]	27.74 [1.092]	6	641525-6	
11.89 [.468]		15.95 [.628]	19.81 [.780]	4	641525-4	
7.92 [.312]		11.99 [.472]	15.85 [.624]	3	641525-3	
3.96 [.156]		8.03 [.316]	11.89 [.468]	2	641525-2	

THIS DRAWING IS A CONTROLLED DOCUMENT.

DIMENSIONS: mm [INCHES]
 TOLERANCES UNLESS OTHERWISE SPECIFIED:
 0 PLC ± -
 1 PLC ± -
 2 PLC ± 0.13 [.005]
 3 PLC ± -
 4 PLC ± -
 ANGLES ± -

MATERIAL: SEE NOTE 1
 FINISH: SEE NOTE 1

THIS DRAWING IS A CONTROLLED DOCUMENT.
 DWG: B. LEWIS 5-28-96
 CHK: R. SWING 5-28-96
 APPV: -
 NAME: Tyco Electronics Corporation
 Tyco Electronics Corporation
 Harrisburg, PA 17105-3608
 PRODUCT SPEC: MTA-156
 APPLICATION SPEC: POSTED CONNECTOR ASSEMBLY, 24 AWG
 SIZE: A1
 CAGE CODE: 00779
 DRAWING NO: 641525
 WEIGHT: -
 CUSTOMER DRAWING: -
 SCALE: 5:1
 SHEET: 1 OF 1
 REV: D